

# POWERED THRU LUG & CONTAINER WASHER

**LAKWOOD**  
PROCESS MACHINERY

**CONTAINER WASHERS**

## QUICKLY FLUSH AWAY LOOSE DEBRIS & SANITIZE FIELD CONTAINERS

### LAKWOOD Powered Thru Lug Washer

- Includes initial wash section, and rinse section
- Includes adjustable guide rail system
- Includes easy-access drain plug
- Includes sieve screen for debris removal
- Includes exit end lug rotator / collection conveyor

The container is positioned upside-down onto the lug washer's conveyor on the infeed end. The conveyor carries it through the wash manifold where the container is flooded from above and below. No corners or crevices are untouched. The water and debris that comes off of the container is screened through a sieve into a reservoir and recirculated. The containers exit the opposite end of the conveyor onto an accumulation zone.

### Powered Thru Lug Washer Capacities

\* Powered Lug Washer Capacities (Lugs per hour)

Apprx 900 lugs per hour

\* Capacities listed above are greatly dependent on the container size you are washing. Capacities listed are for 24" long lugs.

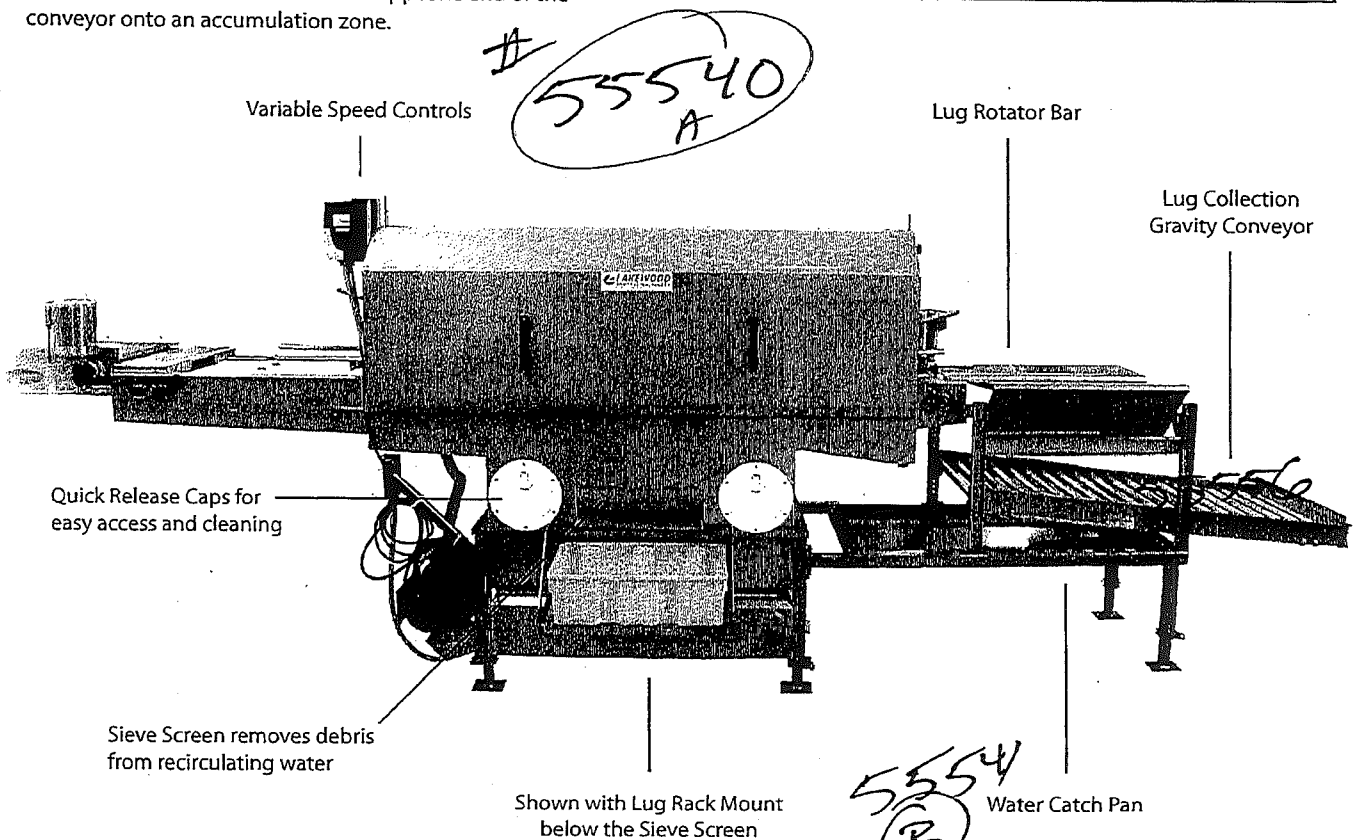
### Powered Thru Lug Washer Options

#### Powered Thru Lug Washer Options

Sanitization Option (chemical pumps, storage, manifolds)

Lug Rack Mount

Heated Water



(See page #'s 39-40 for all of our lug washer features and options)